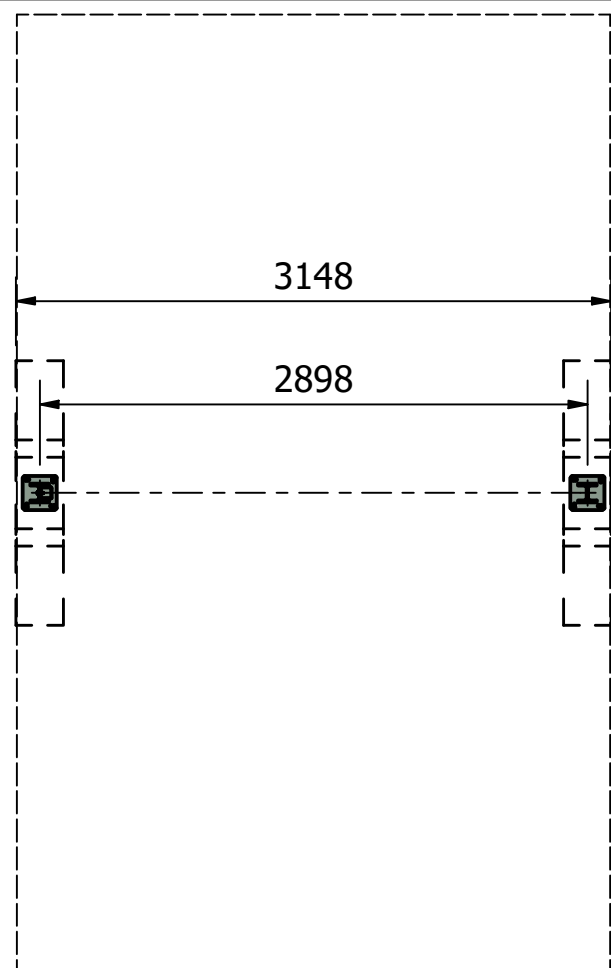
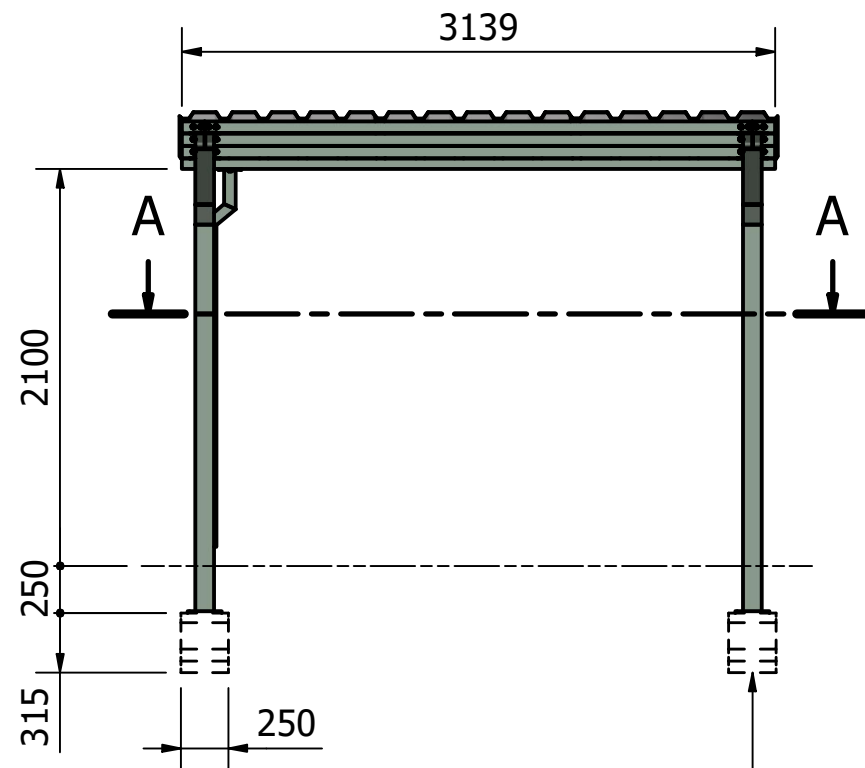


Rev	Date	By
-	14-11-2023	TW
A	15-9-2025	RBO

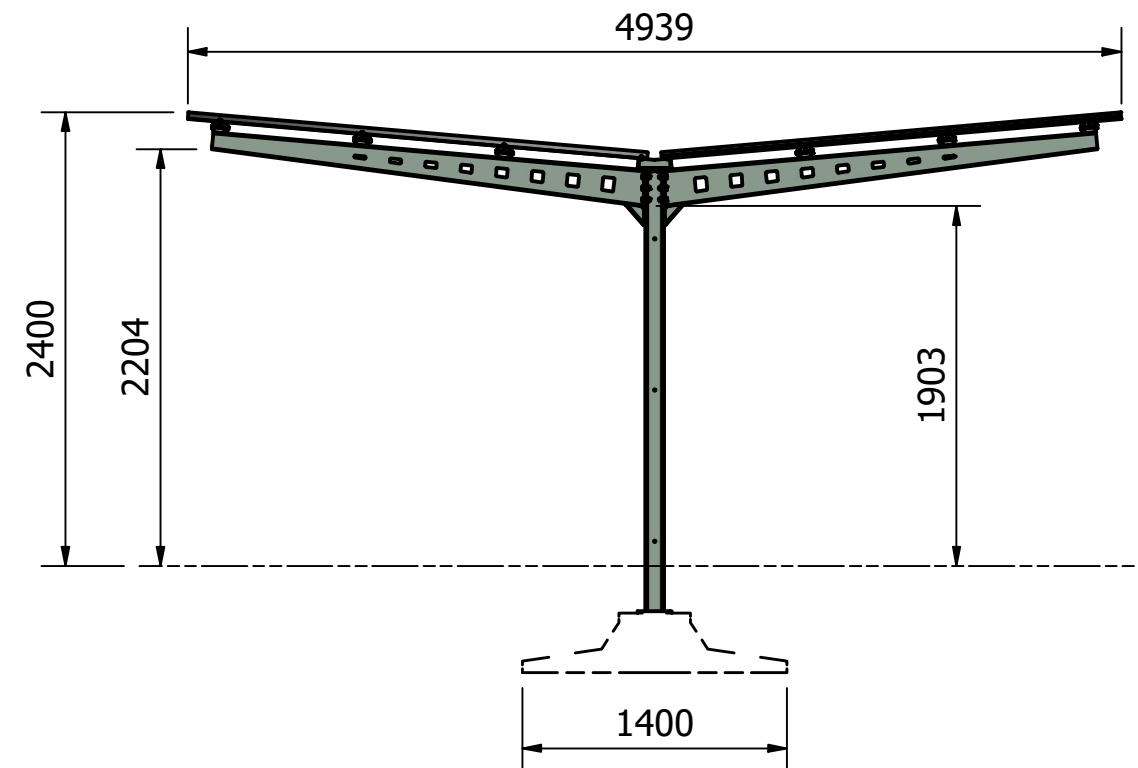



A-A ( 1:40 )



2x 96.555.400

Betonvoet 140x25x31,5 cm (K2) met 4 RVS M10 hulzen



 <b>FALCO</b> Falco BV Postbus 18 7670AA Vriezenveen T +31 (0)546 55 44 44 F +31 (0)546 56 11 15 I www.falco.nl	Item number:	Revision:
	<b>28.550.000</b>	<b>A</b>
Tolerances: <b>EN ISO 13920</b>	Standard: <b>EN 1090 EXC 1</b>	Title:
Drawn by: TW	Drawing unit: mm	<b>FalcoAndo beginvak dubbelzijdig met dak van aluz profpl, vp</b>
Date: 9-11-2023	Scale: 1:40	Format: <b>A3</b>
Document No.: E0094267.dwg A	Page: 1 / 1	