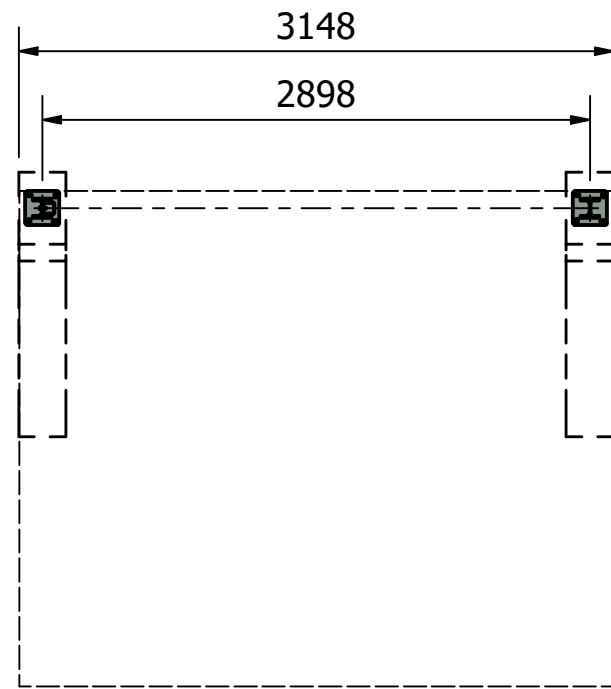
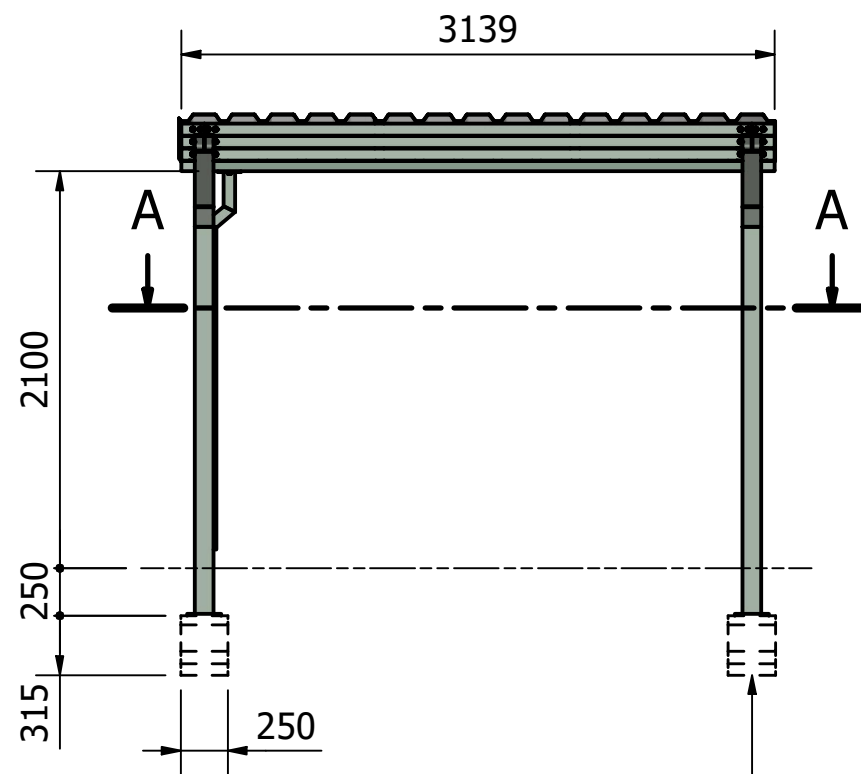


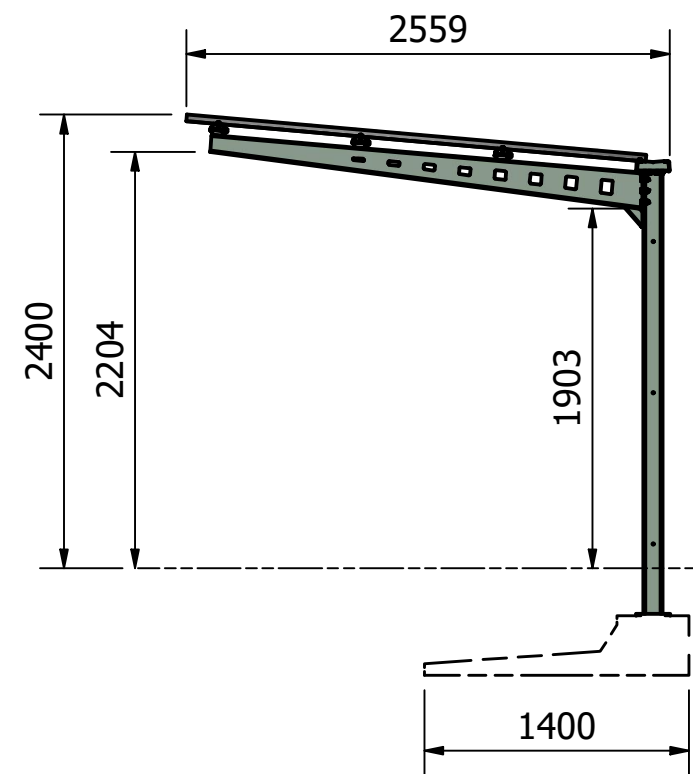
| Rev | Date | By |
|-----|------------|-----|
| - | 14-11-2023 | TW |
| A | 15-9-2025 | RBO |




A-A (1:40)



2x 96.550.400
 Betonvoet 140x25x31,5 cm (K1) met 4 RVS M10 hulzen



| | | | |
|--|--|--|--|
|  Falco BV Postbus 18 7670AA Vriezenveen | T +31 (0)546 55 44 44 F +31 (0)546 56 11 15 I www.falco.nl | Item number: 28.450.000 | Revision: A |
| | | Tolerances: EN ISO 13920 Drawn by: TW Date: 9-11-2023 Document No.: E0094272.dwg A | Standard: EN 1090 EXC 1 Drawing unit: mm Scale: 1:40 Page: 1 / 1 |

