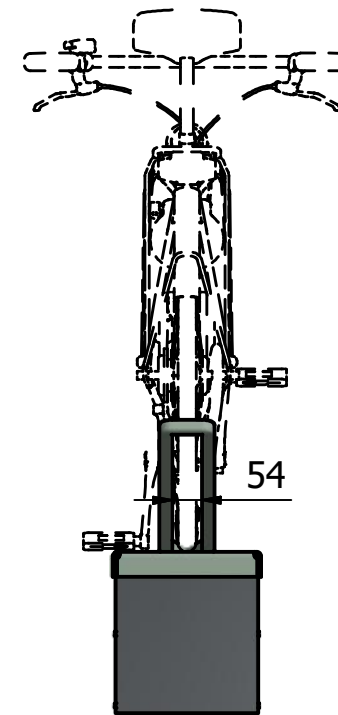
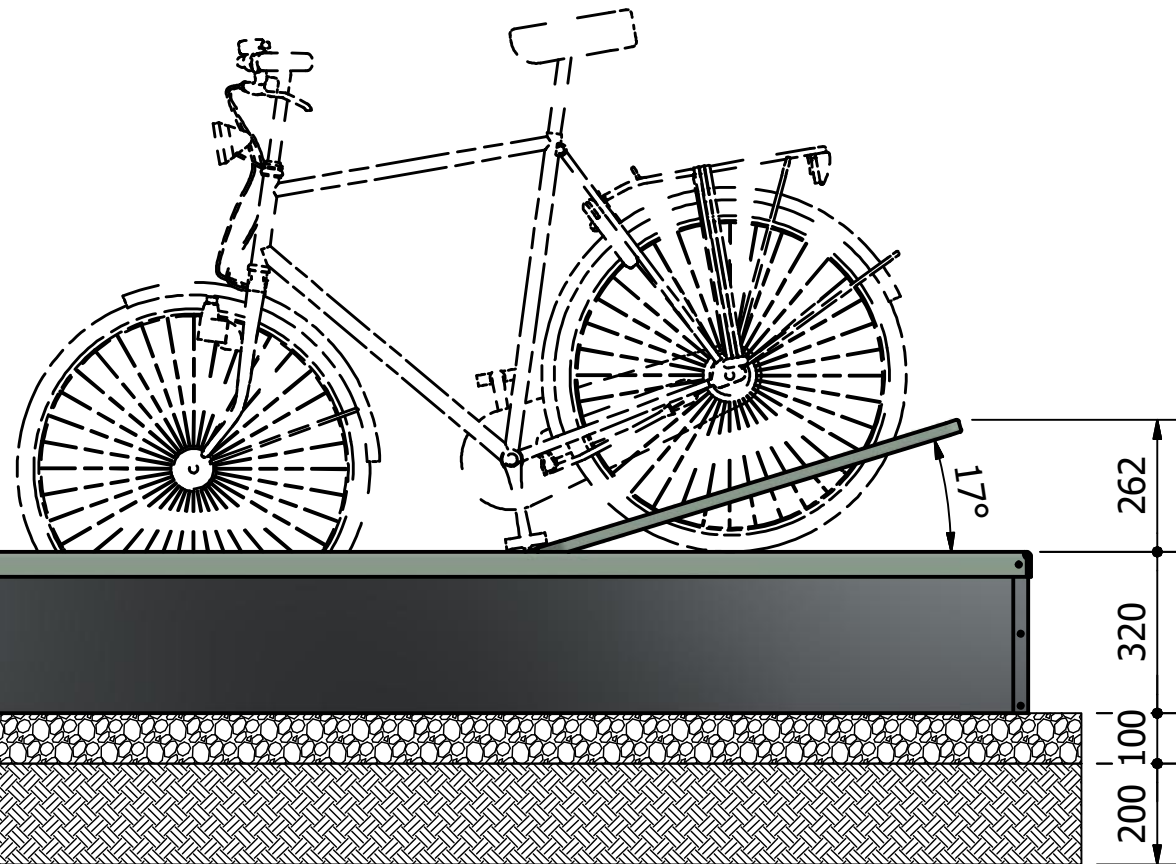
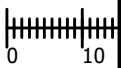
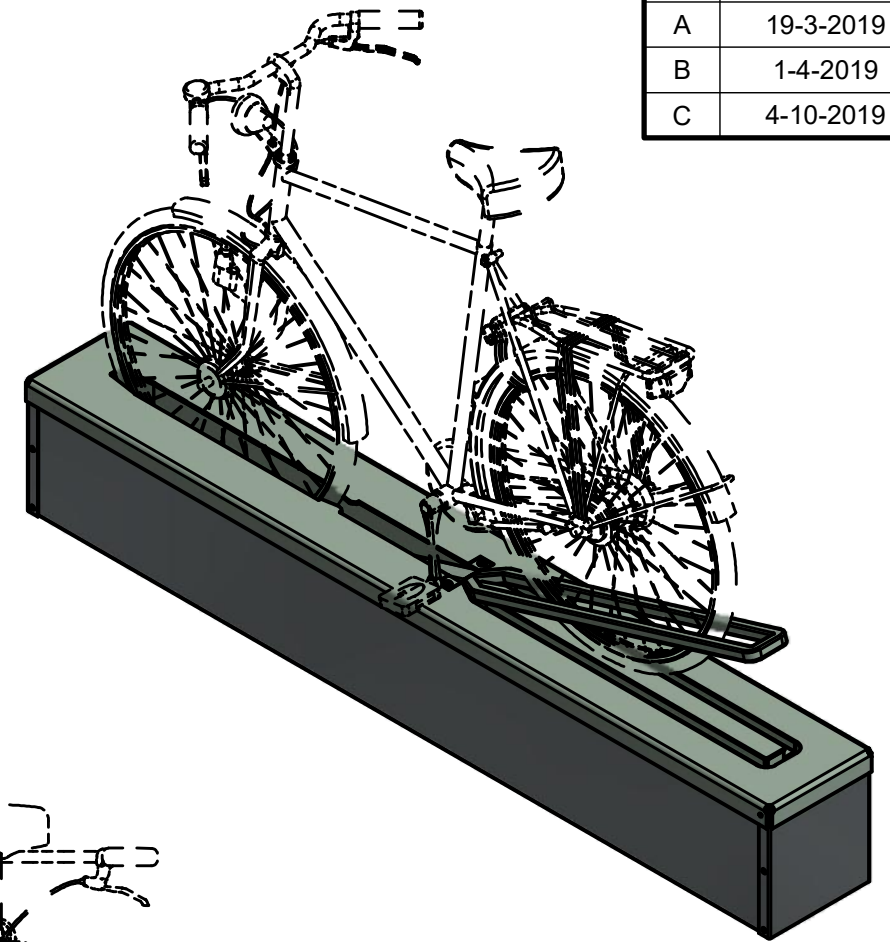
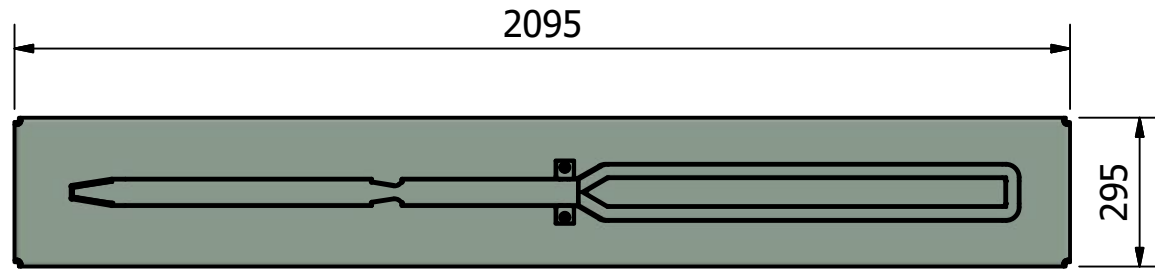



| Rev | Datum | Door |
|-----|-----------|------|
| - | 22-2-2019 | RBO |
| A | 19-3-2019 | RBO |
| B | 1-4-2019 | RBO |
| C | 4-10-2019 | RBO |



| | | | |
|------------------------------------------------------------------------------------------------------------------------------------|------------------------------------------------------------------|---------------------------------------------------------------------|--------------------------------------------------|
|  Falco BV Postbus 18 7670AA Vriezenveen | T +31 (0)546 55 44 44 F +31 (0)546 56 11 15 I www.falco.nl | Artikelcode: 01.100.000 | Revisie: D |
| | | Tekenaar: RBO Getekend: 22-2-2019 Documentnr.: E0050102.dwg C | Maateenheid: mm Schaal: 1 : 15 Blad: 1 / 1 |